

**Technical description**  
**Lubrication pinion**  
**LPM1**



## Inhaltsverzeichnis

<b>1</b>	<b>Imprint.....</b>	<b>2</b>
<b>2</b>	<b>Technical Data.....</b>	<b>3</b>
<b>3</b>	<b>Product features, advantages and components of the LMP1 .....</b>	<b>4</b>
<b>4</b>	<b>Accessories .....</b>	<b>5</b>
4.1	Screw couplings-push in-for lubrication pinion inlets.....	5
4.2	Screw coupling-for lubrication pinion inlets .....	5
4.3	Mounting brackets.....	6
<b>5</b>	<b>Order key .....</b>	<b>7</b>

All information subject to technical changes.

Rev.	Change	Date / Author:	Date / Released:
00	First edition	23.03.2026 / HB	26.03.206 / MK

## 1 Imprint

### **Manufacturer**

Lubmann GmbH  
Add: Kleiner Johannes 21, 91257 Pegnitz, Germany  
E-Mail: [info@lubmann-gmbh.de](mailto:info@lubmann-gmbh.de)  
Website: [www.lubmann-gmbh.de](http://www.lubmann-gmbh.de)

### **Training courses**

In order to provide a maximum of safety and economic viability, Lubmann GmbH carries out detailed training courses. It is recommended that the training courses are attended. For more information, please contact Lubmann GmbH.

### **Copyright**

© Copyright Lubmann GmbH All rights reserved

### **Disclaimer**

The manufacturer shall not be held responsible for damages caused by:

- Non appropriate use faulty assembly, operating, setting, maintenance, repair or accidents
- The staff in charge of installation and maintenance not qualified accordingly for this work
- Use of inappropriate lubricants
- Improper or late response to malfunctions
- Unauthorized modifications of the product
- Intent or negligence
- Use of non-original Lubmann spare parts
- Faulty planning or layout of the centralized lubrication system

Liability for loss or damage resulting from the use of our products is limited to the maximum purchase price.  
Liability for consequential damages of whatever kind is excluded.

## 2 Technical Data

Type	Lubrication pinion LPM1 modulized type	
Number of Modules	14	16, 18, 20, 22, 24
Corresponding number of teeth	7	8
Material	Thermoplastic polyurethanes (TPU)	
Width per lube pinion segment	20 mm	
Total width range per lube pinion	100 mm – 240 mm	
Lubricants	Grease up to NLGI-Kl. 2	
max. admissible volume flow	500 ml / min	
Operating temperature	- 40°C to +70°C	
Rotating direction	any direction	
Mounting position	any position	
max. rotational speed	300 rpm	
Deviation of the alignment of the axis of the lubrication pinion and the component to be lubricated	+ / - 1°	
Lubricant inlet connection	G1/4	
Lubrication inlet fitting	see order key	
Corrosion class for metal parts on the lube pinion	C4H	
Lifetime	min. 6 million revolutions	
Mounting bracket	see order key	

### 3 Product features, advantages and components of the LMP1

The LPM series of lubrication pinion are offered by Lubmann for open gear wheel. LPM continuously cover the surfaces of the gear wheel with the grease film, which requiring lubrication through meshing motion to achieving the following:

- Reduced gear wear and extended gear life
- Reduced friction and energy consumption
- Improved gear heat dissipation and cooling
- Cleaning of gears and prevention of rust
- Reduced vibrations, thus maintaining the smooth running and reliability of the transmission system.

LPM series lubrication opinion features a modulized design, allowing users to choose the appropriate configuration for various application scenarios.

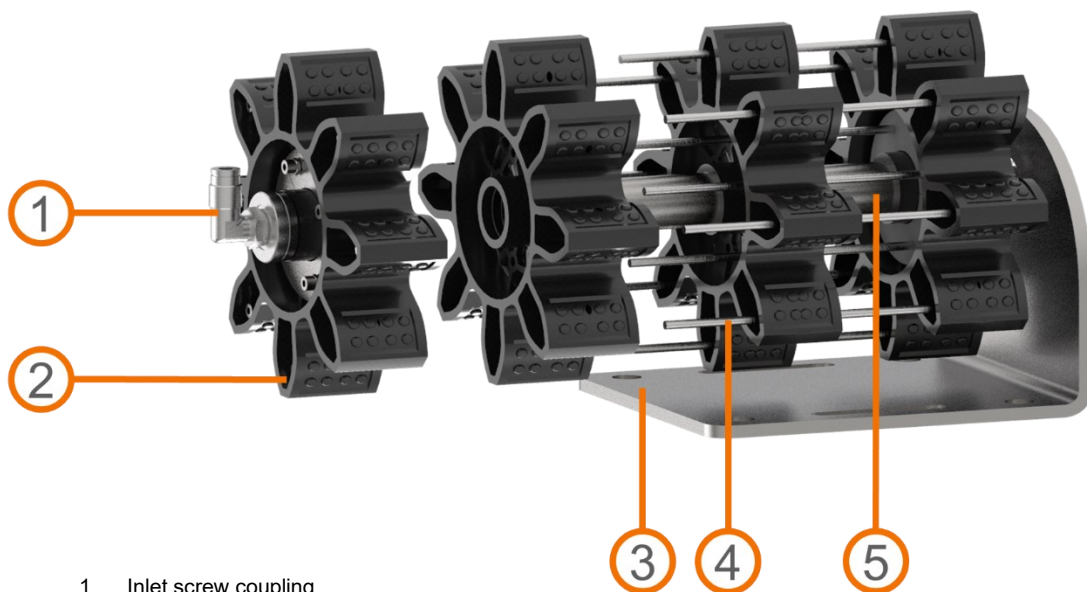
Each lubrication pinion consists of multiple lubrication pinion segments, a lubrication pinion shaft, hexagon socket head cap screw and optional grease inlet screw coupling with tubes and mounting bracket.



These components can be freely combined with an order key to generate customized pinion lubrication solutions.

The material of LPM series lubrication pinion segments is thermoplastic polyurethanes (TPU) which has the features of:

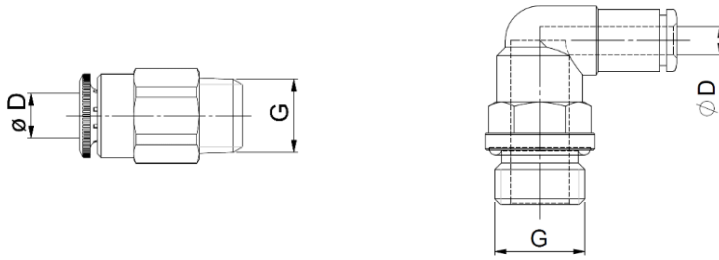
- Excellent elasticity and abrasion resistance
- Good lubricant and chemical resistance
- High mechanical strength and impact resistance
- Weather resistance and aging resistance



- 1 Inlet screw coupling
- 2 Lubrication pinion segment
- 3 Mounting bracket
- 4 Hexagon socket head cap screw (connecting roads - 8 segments)
- 5 Lubrication pinion shaft

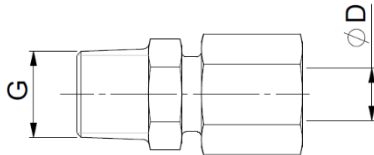
## 4 Accessories

### 4.1 Screw couplings-push in-for lubrication pinion inlets

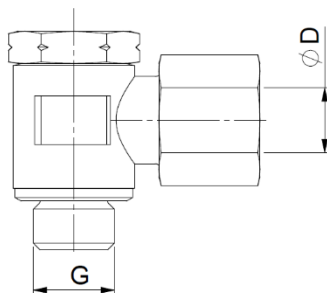


	<b>D</b>	<b>G</b>	<b>Part number</b>
Straight screw coupling-push in- GES-D6-R1/4k-250 bar-MS-Ni	6	R 1/4	15011510
Straight screw coupling-push in- GES-D8-R1/4k-250 bar-MS-Ni	8	R 1/4	15011511
Straight screw coupling-push in- GES-D10-R1/4k-250 bar-MS-Ni	10	R 1/4	15011512
Elbow screw coupling-rotatable-push in- WESD-D6-R1/4k-250 bar-MS-Ni	6	R 1/4	15011513
Elbow screw coupling-rotatable-push in- WESD-D8-R1/4k-250 bar-MS-Ni	8	R 1/4	15011514
Elbow screw coupling-rotatable-push in- WESD-D10-R1/4k-250 bar-MS-Ni	10	R 1/4	15011515

### 4.2 Screw coupling-for lubrication pinion inlets

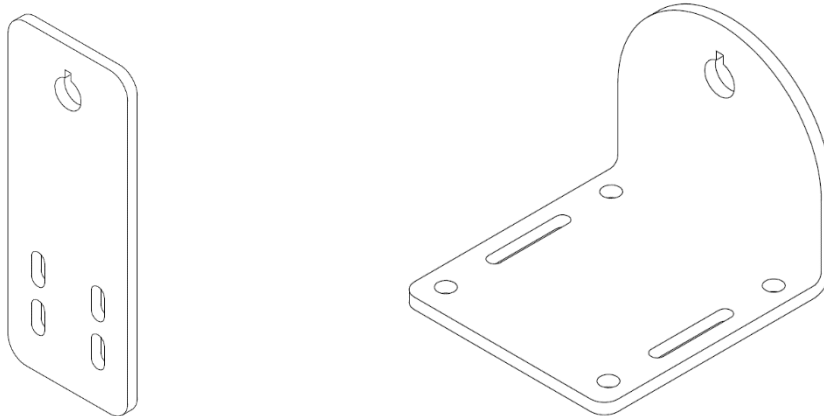


	<b>D</b>	<b>G</b>	<b>Part number</b>
Straight screw coupling- GE-D6L-G1/4-ST-ZnNi	6	G 1/4	9900122



	<b>D</b>	<b>G</b>	<b>Part number</b>
Elbow swivel connector- WS-D6L-G1/4-(DK)-ST-ZnNi	6	G 1/4	15011542

### 4.3 Mounting brackets



	fit for Modul	Part number
Mounting bracket-lubrication pinion-LPM1-250x100x8-ST-black painted	14 bis 24	15011478
Mounting bracket-lubrication pinion-LPM1-L_form-150x168x135-ST-black painted	14 und 16	15011504

additional sizes available on request

## 5 Order key

LPM1 - 168 - 100 - 10 - 34 - 2 0000

Module size + number of teeth	
Module 14 with 7 teeth	147
Module 16 with 8 teeth	168
Module 18 with 8 teeth	188
Module 20 with 8 teeth	208
Module 22 with 8 teeth	228
Module 24 with 8 teeth	248

Lubrication pinion width [mm]	
5 lubrication pinion segments	100
6 lubrication pinion segments	120
7 lubrication pinion segments	140
8 lubrication pinion segments	160
9 lubrication pinion segments	180
10 lubrication pinion segments	200
11 lubrication pinion segments	220
12 lubrication pinion segments	240

Inlet screw coupling on mounting bracket side	
without	10
Straight screw coupling-push in-GES-D6	11
Straight screw coupling-push in-GES-D8	12
Straight screw coupling-push in-GES-D10	13
Elbow screw coupling-rotatable-push in-WES-D6	14
Elbow screw coupling-rotatable-push in-WES-D8	15
Elbow screw coupling-rotatable-push in-WES-D10	16
Straight screw coupling-GE-D6L-G1/4	17
Elbow swivel connector-WS-D6L-G1/4	18

Inlet screw coupling on mounting bracket opposite side	
without	30
Straight screw coupling-push in-GES-D6	31
Straight screw coupling-push in-GES-D8	32
Straight screw coupling-push in-GES-D10	33
Elbow screw coupling-rotatable-push in-WES-D6	34
Elbow screw coupling-rotatable-push in-WES-D8	35
Elbow screw coupling-rotatable-push in-WES-D10	36
Straight screw coupling-GE-D6L-G1/4	37
Elbow swivel connector-WS-D6L-G1/4	38

Mounting bracket	
without mounting bracket	0
with mounting bracket	1
with mounting bracket L-form	2
customized version	X

Special models	
Standard version	0000
Customized version	XXXX

